

Carbon Cored Wire KJCW-41

Chemical Analysis (wt%)

Fixed Carbon	Sulfur	Ash	Volatile Matter	Moisture
97% Min	0.6% Max	1.0% Max	1.0% Max	0.5% Max

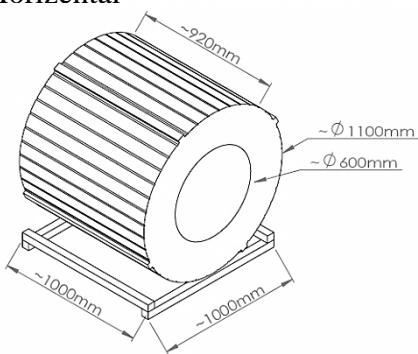
Packing

In metal baskets or horizontal/vertical packages

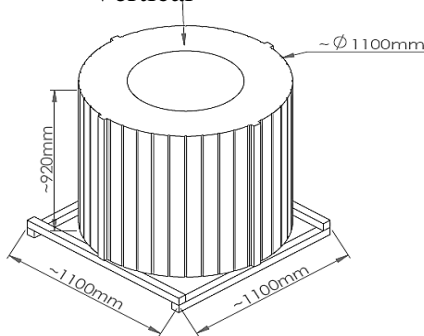
Specification

Average Powder Density	150±10gr/m
Strip Steel Thickness	0.4-0.5 mm
Total Wire Weight	1400±50 kg
Wire Diameter	13.2±0.2 mm
Powder Size	0 – 2 mm
Type of Axis	Horizontal or Vertical
Type of Ring	Oval
Wire Length	3400±100 m

Horizontal



Vertical- ϕ 600mm



oval

