

Calcium Silicon Barium Cored Wire (CaSiBa) KJCW-43

Chemical Analysis (wt%)

Ca	Si	Ba	C	Fe
12% Min	50% Min	12% Min	0.8% Max	Balance

Packing

In metal baskets or horizontal/vertical packages

Specification

Average Powder Density

255±10gr/m

Strip Steel Thickness

0.4-0.5 mm

Total Wire Weight

1400±50 kg

Wire Diameter

13.2±0.2 mm

Powder Size

0 – 2 mm

Type of Axis

Horizontal or Vertical

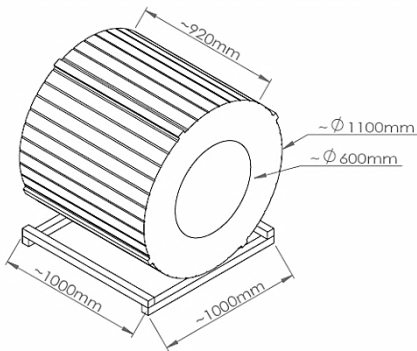
Type of Ring

Oval

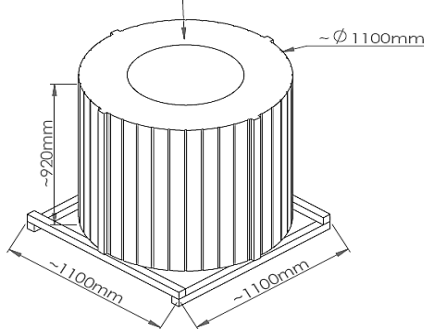
Wire Length

3400±100 m

Horizontal



Vertical - ϕ 600mm



oval

