

Calcium Silicon Cored Wire (CaSi) KJCW-42

Chemical Analysis (wt%)

Ca	Si	C	Al	Fe
28% Min	58% Min	0.6% Max	1% Max	Balance

Packing

In metal baskets or horizontal/vertical packages

Specification

Average Powder Density

210±10gr/m

Strip Steel Thickness

0.4-0.5 mm

Total Wire Weight

1400±50 kg

Wire Diameter

13.2±0.2 mm

Powder Size

0 – 2 mm

Type of Axis

Horizontal or Vertical

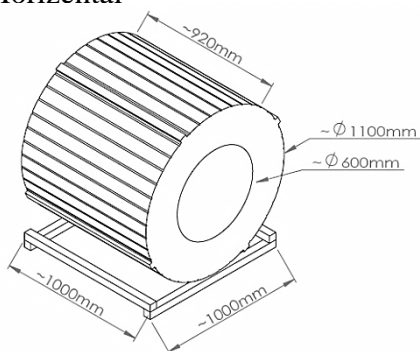
Type of Ring

Oval

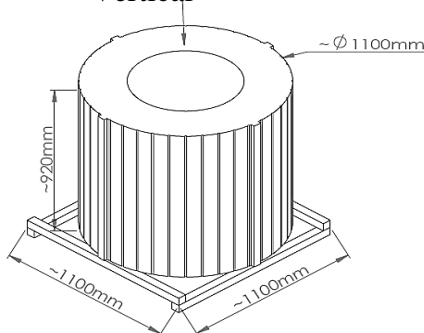
Wire Length

3400±100 m

Horizontal



Vertical - $\varnothing 600\text{mm}$



oval

