

Ferro Calcium Cored Wire (CaFe) KJCW-54

Chemical Analysis (wt%)

Ca	Fe
31 – 33%	Balance

Packing

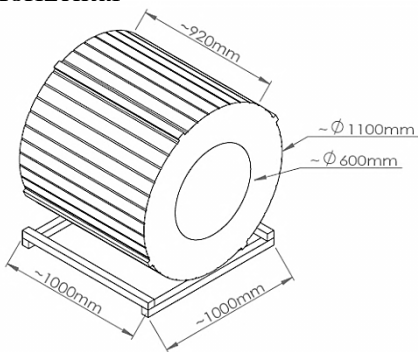
In metal baskets or horizontal/vertical packages

Specification

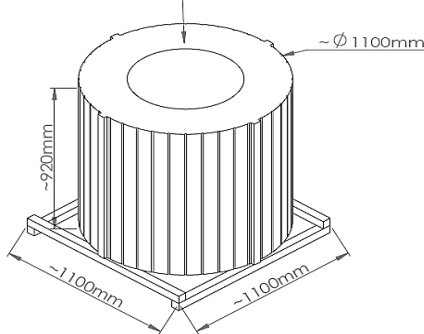
Average Powder Density	240±10gr/m
Strip Steel Thickness	0.4-0.5 mm
Total Wire Weight	1400±50 kg
Wire Diameter	13.2±0.2 mm
Powder Size	0 – 2 mm

Type of Axis	Horizontal or Vertical
Type of Ring	Oval
Wire Length	3400±100 m

Horizontal



Vertical - ϕ 600mm



oval

