

Calcium Cored Wire KJCW-50

Chemical Analysis (wt%)

Ca	AL	Mg
97% Min	1.0% Max	1.0% Max

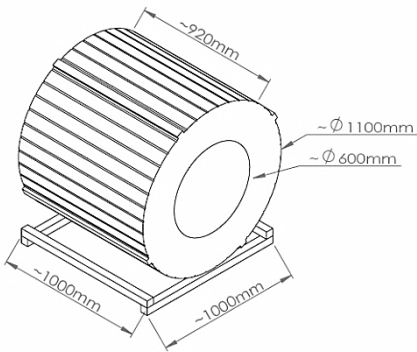
Packing

In metal baskets or horizontal/vertical packages

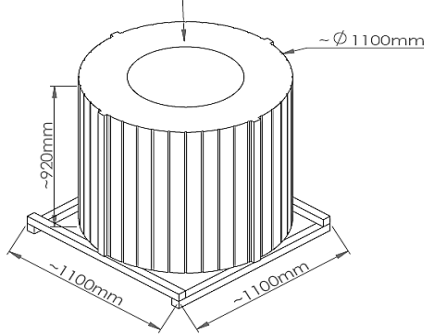
Specification

Average Powder Density	120±10gr/m
Strip Steel Thickness	0.4-0.5 mm
Total Wire Weight	1400±50 kg
Wire Diameter	13.2±0.2 mm
Powder Size	0 – 2 mm
Type of Axis	Horizontal or Vertical
Type of Ring	Oval
Wire Length	3400±100 m

Horizontal



Vertical - ϕ 600mm



oval

